

# KOMATSU®

## PC14R-2

NET POWER  
11,2 kW / 14,7 HP @ 2.600 rpm

OPERATING WEIGHT  
1.460 kg

BUCKET CAPACITY  
0,03 - 0,06 m<sup>3</sup>

**PC**  
**14R-2**



MINI-EXCAVATOR

**PC14R-2**

# WALK-AROUND

## *Tradition and innovation*

The new PC14R-2 compact mini-excavator is the product of the competence and technology that Komatsu has acquired for over the past eighty years. It has been developed with constant attention to the needs of customers from all over the world. The result is a user-friendly machine that offers top class performance.

## **P**RECISION

Perfectly in line with Komatsu style... absolute control is guaranteed by an advanced hydraulic system.

## **C**OMFORT

The result of many ergonomic tests is an outstanding comfort which allows the operator to work in the best conditions.

## **R**ELIABILITY

High quality standards guarantee longer life for all components, minimizing cost impact due to downtime.



## MINI-EXCAVATOR

# PC14R-2

### NET POWER

11,2 kW / 14,7 HP @ 2.600 rpm

### OPERATING WEIGHT

1.460 kg

### BUCKET CAPACITY

0,03 - 0,06 m<sup>3</sup>



## V ERSATILITY

Developed to deliver its best in every application, the PC14R-2 can work in gardens as well as in road sites with great agility.

## A CCESSIBILITY

Thanks to the tilting floor, access to all maintenance points has never been so fast and easy.

## C USTOMIZATION

With many different configurations possible, you can customize the machine to suit your needs - whatever sector you're in.

# STRONG POINTS



## **ABSOLUTE CONTROL**

Easy-to-use, the PC14R-2 allows all drivers to get the best from the job - whether experts or novices. The controls are user friendly and dedicated for each movement. Smooth operation and perfect visibility of the working area guarantee maximum productivity in even the toughest situations.

## **OPERATOR'S ENVIRONMENT**

Designed with the utmost attention to detail, the operator's environment ensures outstanding comfort, accessibility and visibility. The two pole canopy, or the cab with the wide sliding door, allows easy access to and from the machine. Once seated, the spacious, obstacle-free floor allows even the tallest operator room to move his legs. The operator's environment is further complemented by an adjustable seat and ergonomic PPC controls. Two-speed tracking (optional) is operated by a switch on the dashboard where it is possible to monitor all machine functions.



## **VARIABLE UNDERCARRIAGE**

For applications requiring maximum versatility in terms of size and stability, the PC14R-2 is available with hydraulic undercarriage extension. This is operated from the driver's seat using a push button and the blade control lever. It allows the operator to switch easily between the most stable configuration for working and the minimum width configuration (less than 1 m) for driving through narrow passages or doors.



### ROBUSTNESS

Particular technical solutions contribute to increase the sturdiness and the operability of the machine. Among these, we can highlight the cast swing support, that confers extreme rigidity to the structure, and the boom, that lodges the hydraulic hoses, protecting them from possible damages, guaranteeing the best visibility over the digging area.

### TILTING FLOOR

All periodic inspection points are easily accessible through the bonnets. In addition, extra-ordinary maintenance can be performed by simply tilting the canopy upwards: under the floor, the operator can find all major hydraulic components, like the main valve or the swing motor. ORFS hydraulic face seal connectors and DT electric connectors improve the reliability of the machine and make repairs easier and faster. Special technical solutions have allowed to extend up to 500 hours the intervals for most ordinary maintenance operations, such as pin greasing or engine oil replacement. Also, to avoid possible leakage, all tanks are equipped with a draining hose: this confirms once again the attention KOMATSU pays to the environment.

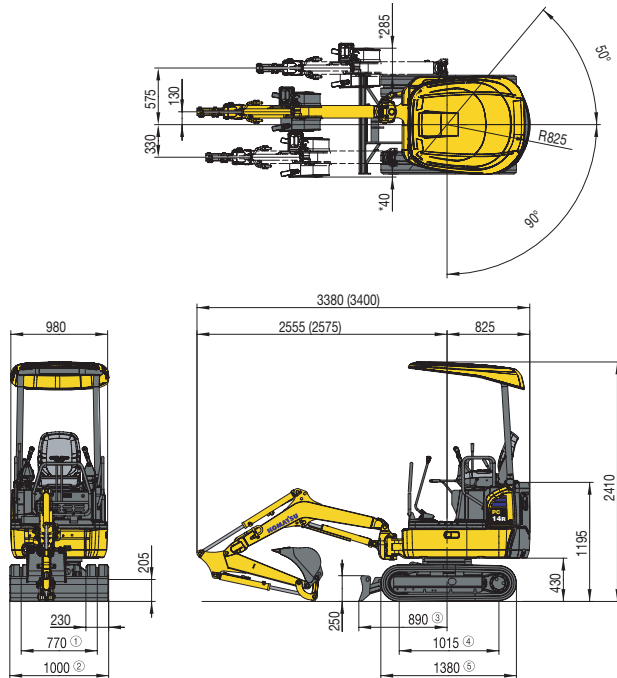


### CUSTOMIZATION

Many available configurations allow the operator to choose the right machine for the specific job: short or long arm, canopy or cab, rubber or steel shoes, 1 or 2 speed, standard or variable undercarriage. Moreover, the 1 / 2 way auxiliary hydraulic circuit consents to use multiple working tools, like the hammer, the clamshell bucket, the auger, etc.

# PC14R-2 MINI-EXCAVATOR

## DIMENSIONS & WORKING RANGE



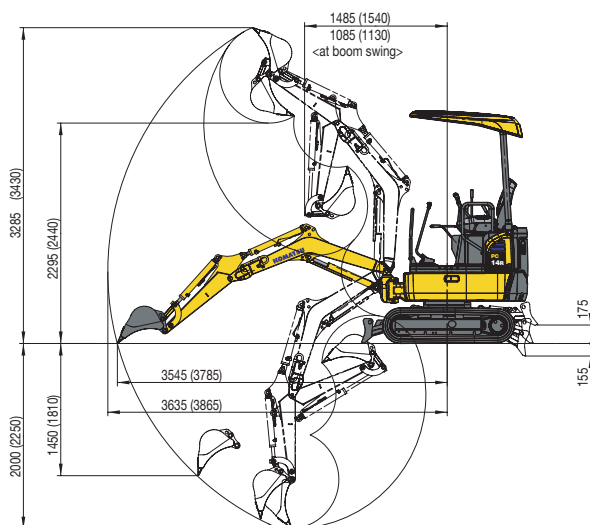
### HS version:

- ① 750 ÷ 1070 mm
- ② 980 ÷ 1300 mm
- ③ 1145 mm
- ④ 1212 mm
- ⑤ 1555 mm

BUCKET RANGE			
Width mm	Capacity m <sup>3</sup> (ISO7451)	Weight kg	No. of teeth
250	0,03	19	2
300	0,035	20	3
350	0,04	22	3
400	0,05	23	3
450	0,06	25	4

### PC14R-2: Canopy, Rubber Shoes, 350 mm Bucket, Blade Down

A - Distance from machine's center B - Height at bucket pin



Arm length 880 mm							
B	A	2 m		2,5 m		Max. outreach	
	Front	360°	Front	360°	Front	360°	
2 m	(*)225	(*)225	(*)218	200	(*)220	179	
1 m	(*)353	267	(*)266	192	(*)221	143	
0 m	(*)424	249	(*)299	182	(*)231	147	
-1 m	(*)293	253	-	-	(*)227	215	

Unit: kg

Arm length 1.130 mm									
B	A	2 m		2,5 m		3 m		Max. outreach	
	Front	360°	Front	360°	Front	360°	Front	360°	
2 m	-	-	(*)178	(*)178	-	-	(*)184	151	
1 m	(*)302	268	(*)235	190	(*)201	141	(*)189	123	
0 m	(*)413	243	(*)290	177	(*)218	135	(*)200	125	
-1 m	(*)341	242	(*)226	177	-	-	(*)208	170	

Unit: kg

### NOTE:

Ratings are based on ISO standard 10567. Rated loads do not exceed 87% of hydraulic lift capacity or 75% of tipping load.

- The values marked with an asterisk (\*) are limited by the hydraulic capacities - Calculations are based on the machine resting on a uniform and firm surface.

- The lifting point is a hypothetical hook placed behind the bucket.

# SPECIFICATIONS



## ENGINE

The new generation engine has been developed to comply with the strictest emission controls (STAGE 2).

Model .....	Komatsu 3D67E-1
Type.....	emissionised 4-cycle diesel engine
Displacement.....	778 cm <sup>3</sup>
No. of cylinders .....	3
Net power (SAE J1349) .....	11,2 kW / 14,7 HP @ 2.600 rpm
Max. torque .....	45,6 Nm @ 2.000 rpm
Cooling system.....	water
Air filter type.....	dry
Starting .....	electric motor with pre-heating air system for cold climate



## OPERATING WEIGHT

Operating weight with standard bucket, fully serviced, +80 kg operator (ISO 6016).

Operating weight with rubber shoes .....	1.460 kg
Operating weight with steel shoes .....	1.530 kg
Heated cab weight .....	+120 kg (optional)
Variable undercarriage .....	+170 kg



## HYDRAULIC SYSTEM

Type.....	Komatsu CLSS
Main pump .....	1 x gear pump
Max. pump flow.....	40,8 ltr/min
Max. operating pressure .....	19 MPa (190 bar)
Bucket digging force (ISO 6015) .....	1.190 daN (1.210 kg)
Arm crowd force (ISO 6015):	

880 mm arm.....	740 daN (750 kg)
1.130 mm arm.....	575 daN (585 kg)

The digging equipment is fully controlled by PPC servo-controls. All movements are stopped by lifting the safety levers on the tiltable case.



## TRANSMISSION

Type.....	single speed hydrostatic transmission, controlled and steered by means of two levers or two pedals
Hydraulic motors .....	2 x axial pistons
Reduction system.....	planetary gear
Max. drawbar pull.....	1.230 daN (1.250 kgf)
Travel speed .....	2 km/h



## SWING SYSTEM

The rotation is operated by means of an orbital hydraulic motor. Single ball-bearing ring with internal, induction hardened toothring. Centralised lubrication of the unit.

Swing speed.....	8,9 rpm
------------------	---------



## BLADE

Type.....	electro-welded, single unit structure with extensions
Width x height .....	1.020 x 250 mm
Max. lifting above ground level .....	175 mm
Max. depth below ground level.....	155 mm



## UNDERCARRIAGE

Track rollers (each side) .....	3
Shoe width .....	230 mm
Ground pressure (standard) .....	0,27 kg/cm <sup>2</sup>



## ELECTRIC SYSTEM

Voltage .....	12 V
Battery .....	41 Ah
Alternator.....	40 A
Starter motor .....	1,2 kW



## SERVICE CAPACITIES

Fuel tank.....	19 ltr
Radiator and system .....	3,1 ltr
Engine oil (refill) .....	3,3 ltr
Hydraulic system (refill) .....	1,2 ltr

**PC14R-2**

# MINI-EXCAVATOR

## STANDARD EQUIPMENT

- ROPS (ISO 3471) FOPS (ISO 10262) canopy
- Rubber shoes
- 880 mm digging arm
- 1 / 2 way auxiliary hydraulic circuit for attachments up to the boom
- Adjustable seat
- Lifting cylinder guard
- Working light on boom
- Safety valve on bucket element

## OPTIONAL EQUIPMENT

- ROPS (ISO 3471) / FOPS (ISO 10262) tilting cab with heating
- Steel shoes
- 1.130 mm digging arm
- Two speeds
- Variable undercarriage (HS version)
- Bucket range (250 - 450 mm)
- 1.000 mm ditch cleaning bucket
- Travel acoustic alarm
- Extension of the auxiliary hydraulic circuit up to the arm, with quick couplings
- Rotating beacon
- Biodegradable oil
- Rear-view mirrors



**Manufacturer: Komatsu Utility Europe**

Head Office · via Atheste 4 · 35042 Este (Padova) - Italy

Tel. +39 0429 616111 · Fax +39 0429 601000 · [www.komatsueurope.com](http://www.komatsueurope.com) · [utility@komatsu.it](mailto:utility@komatsu.it)

Call the experts

**KOMATSU®**

**Komatsu Europe  
International NV**

Mechelsesteenweg 586  
B-1800 VILVOORDE (BELGIUM)  
Tel. +32-2-255 24 11  
Fax +32-2-252 19 81  
[www.komatsueurope.com](http://www.komatsueurope.com)

WESS004900 02/2006

Materials and specifications are subject to change without notice.

**KOMATSU®** is a trademark of Komatsu Ltd. Japan.